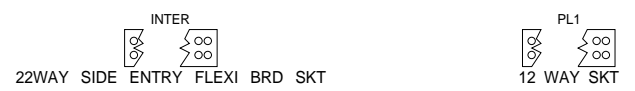
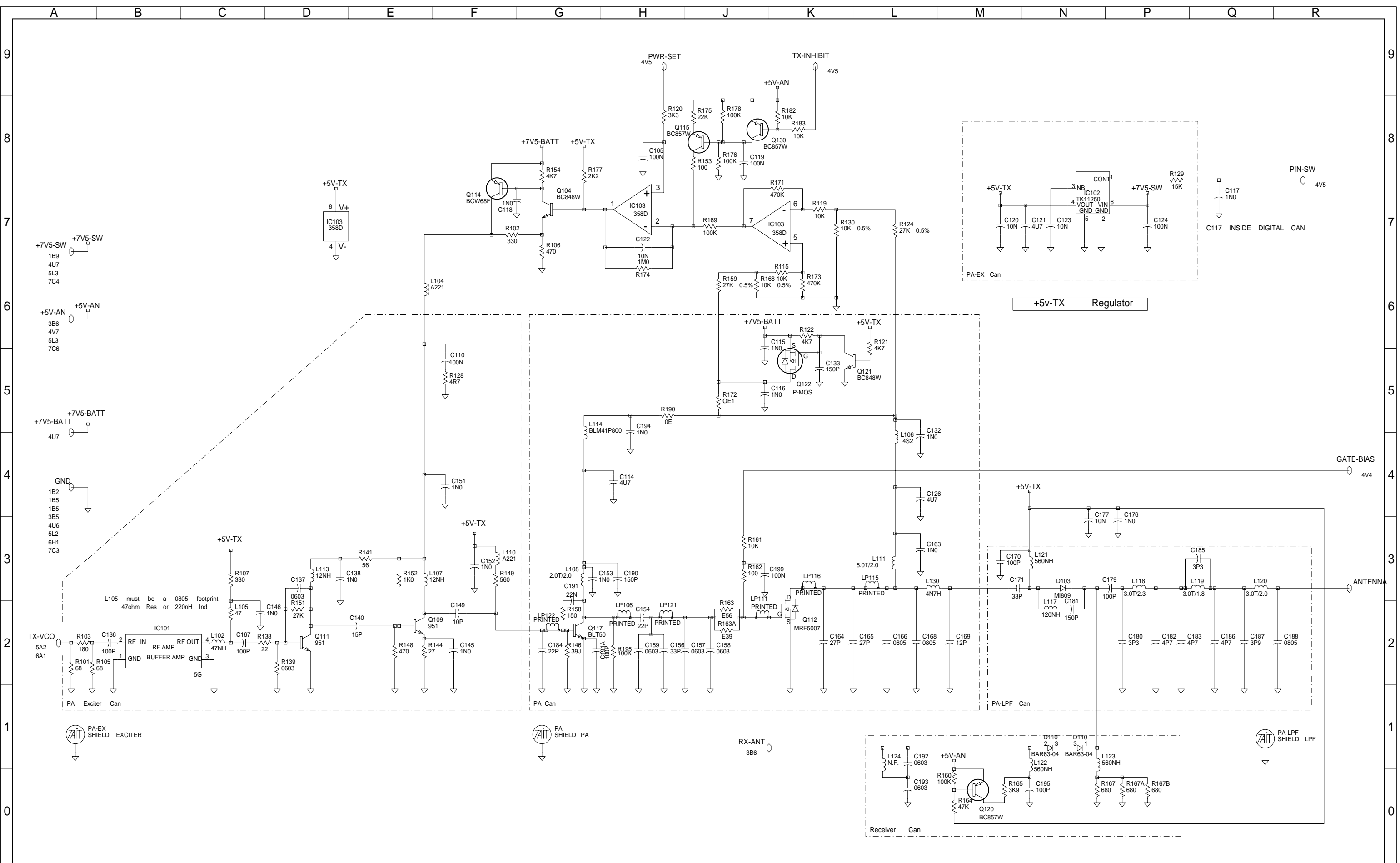


REV/ISS	AMENDMENTS	DRAWN	CHKD	D.O.	APVD	DATE
07H	REGENERATE PLC & PLA FILES.	CCO	NO.1392-005	TS		04-10-99
07G	MIC & BATT SEALS TO SIGNAL .INC.	CCO	No.1392-003	TS		21-09-99
07F	CHGD SPRING PINS TO 356-01077-00	CCO	No.1392-002	TS		15-09-99
07E	CHANGED PASTE FOR SMALL TCXO	BRD				31-05-99
07D	CHANGED CAN NAMES TO MATCH BAAN	BRD				19-04-99
07C	ROTATED TANT C364 180 DEG500185	BRD				11-03-99
07C	CHANGED PASTE ON PA & PROB PINS	BRD				19-02-99
05	MOREUPDATES	DBH				
04	UPDATED AND MOVED AERIAL SOCKET	MAJ				
03 B	UPDATED VALUES ADDED CANS TO PLA	MAJ				

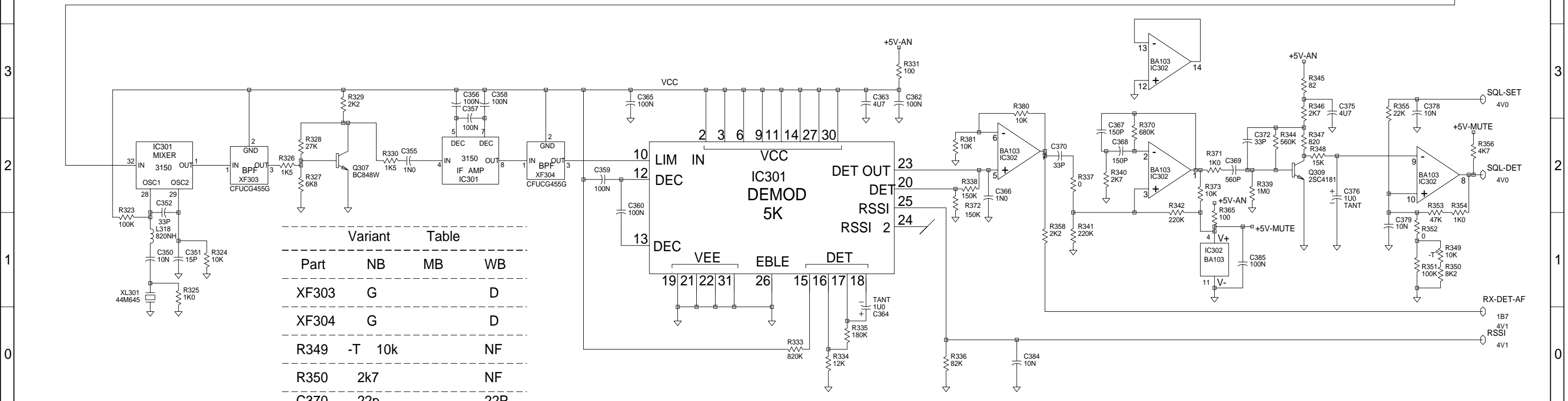
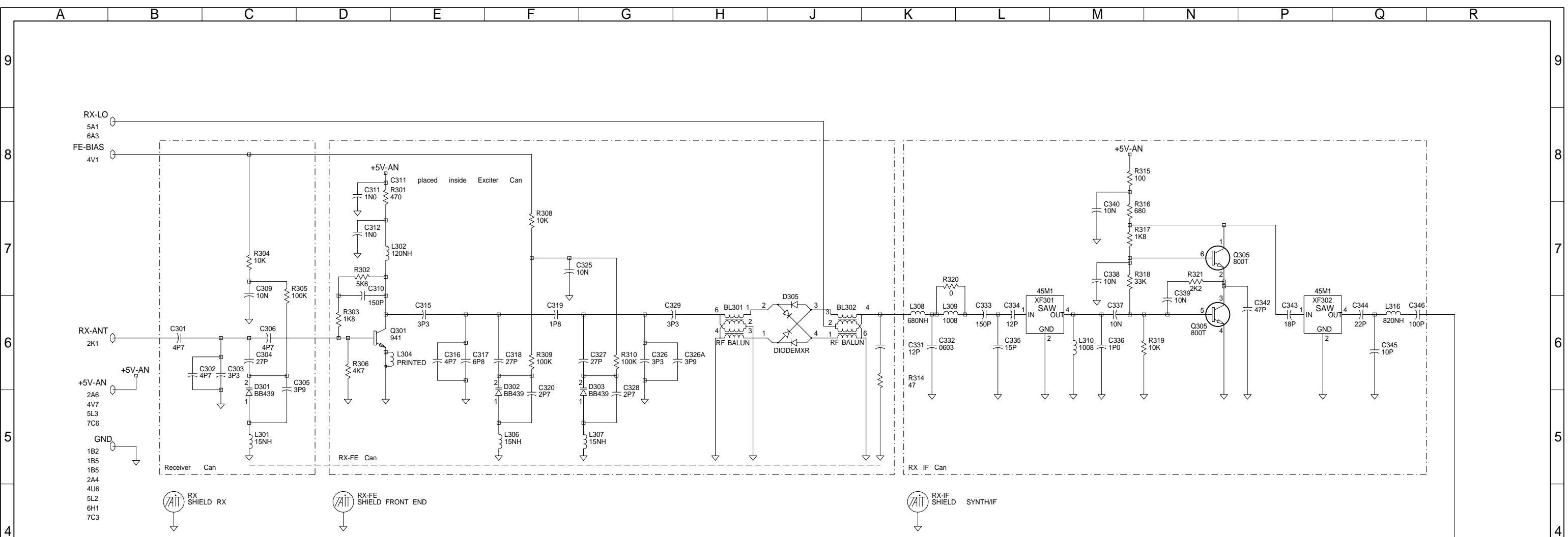


© TAIT ELECTRONICS
 ORCA :TP010-5122 400-440MHZ
 SYSTEM DIAGRAM
 IPN: 220-01392-07 ISSUE: H ID: 2.S.C. 1
 PROJECT: ORCA DESIGNER: BRD/TS FILE NAME: 139207h DATE: 4-Oct-99 NO.SHEETS: 7



© TAIT ELECTRONICS
 ORCA :TP010-5122 400-440MHZ
 POWER AMPLIFIER
 IPN: H ISSUE: 2.S.C. 2
 PROJECT: 220-01392-07 DESIGNER: BRD/TS FILE NAME: 139207h FILE DATE: 4-Oct-99 NO.SHEETS: 7

REV/ISS	AMENDMENTS	DRAWN	CHKD	D.O.	APVD	DATE
A						

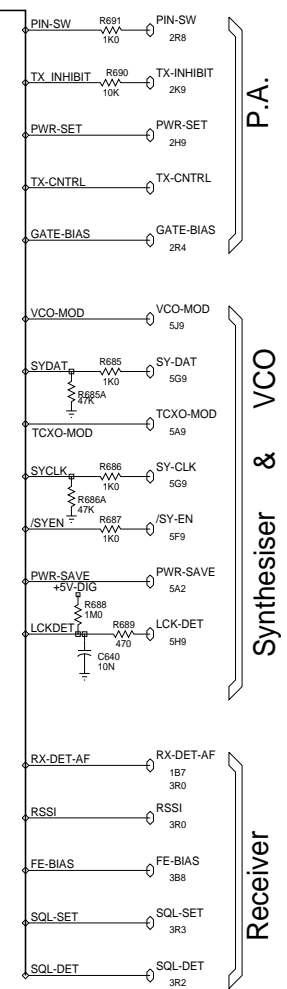
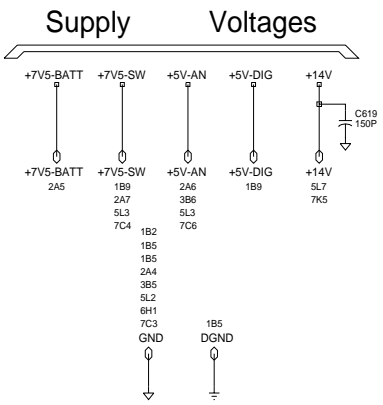
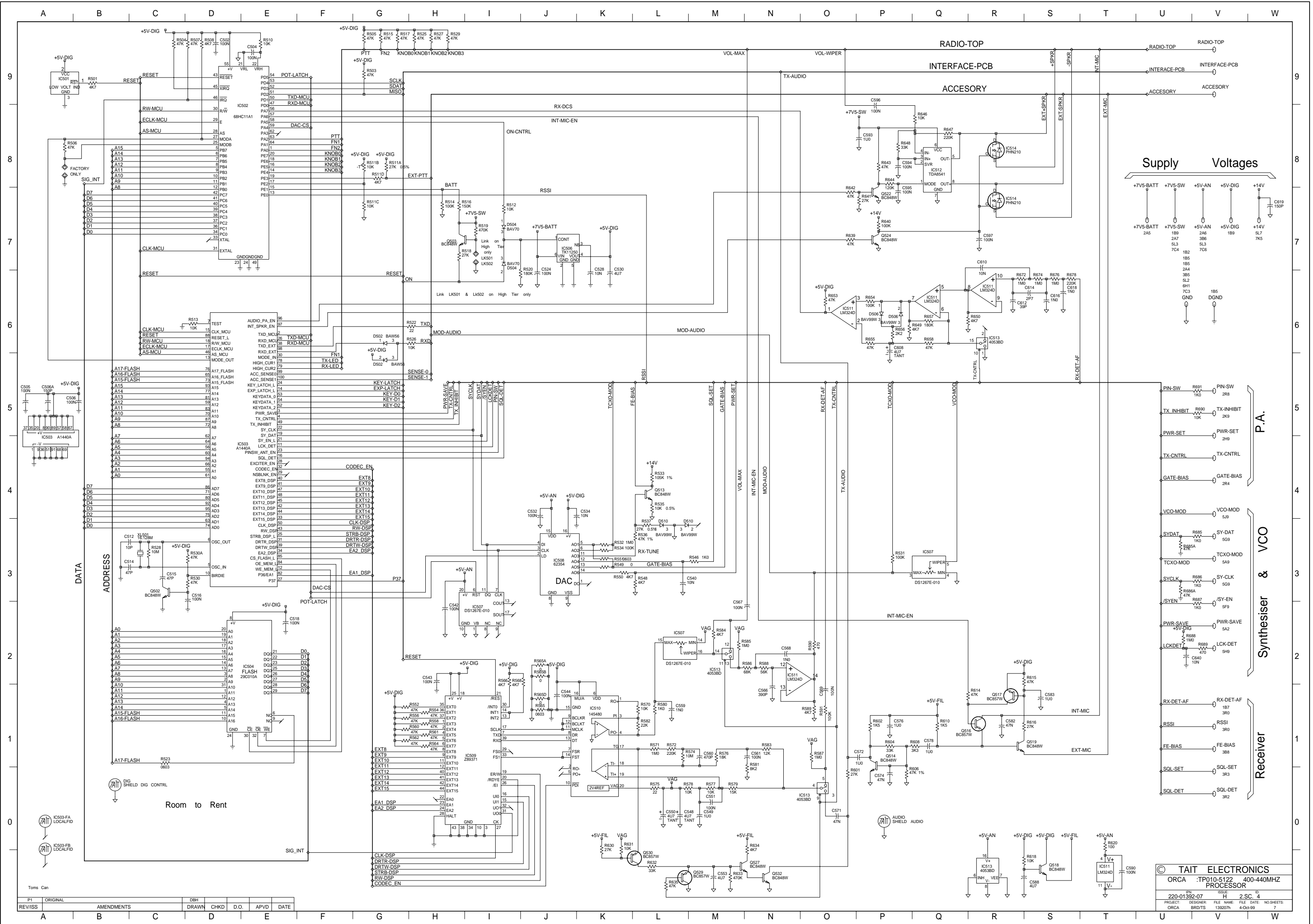


Variant Table

Part	NB	MB	WB
XF303	G		D
XF304	G		D
R349	-T	10k	NF
R350		2k7	NF
C370		22p	22P
C369		330P	330P

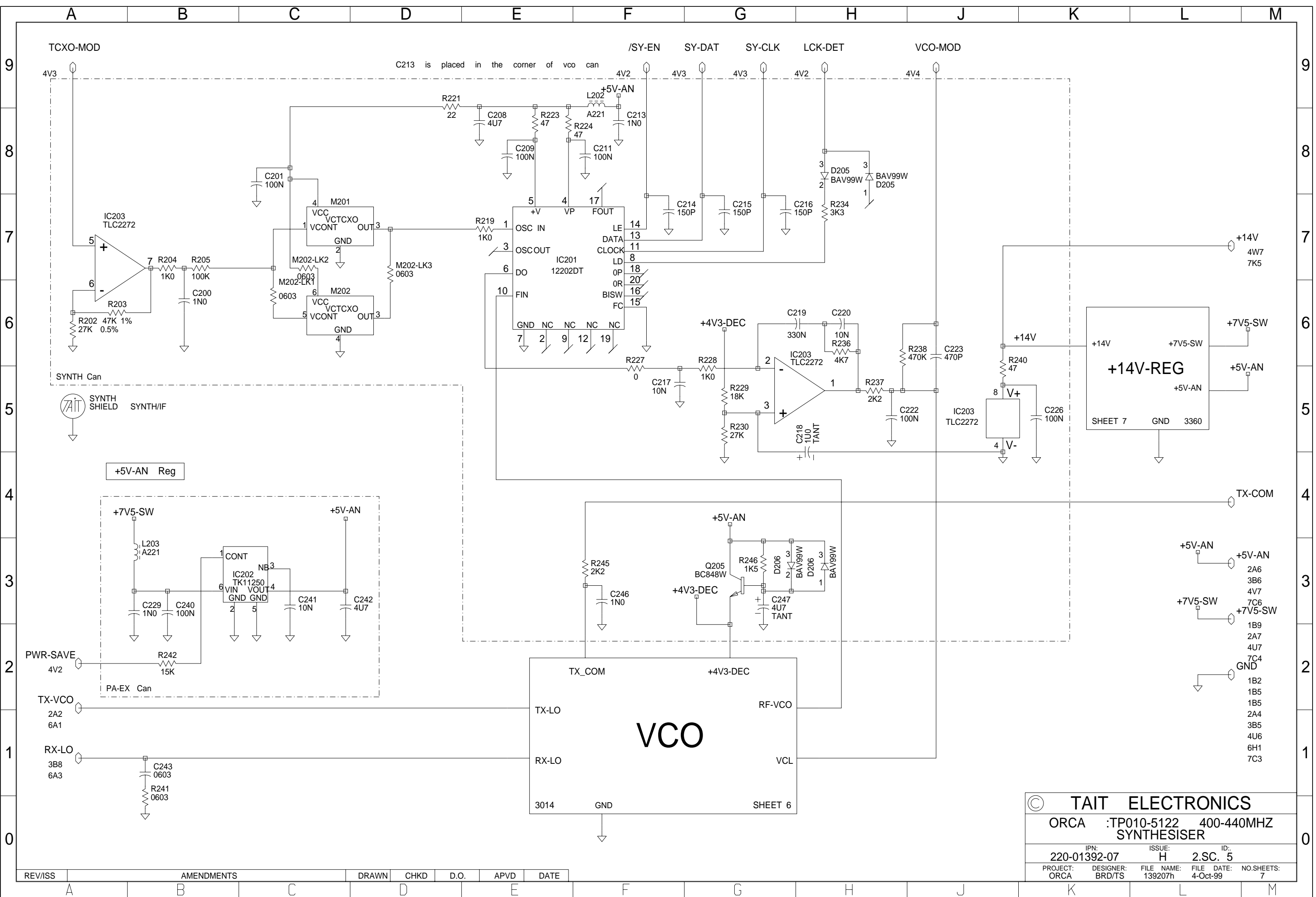
© TAIT ELECTRONICS
 ORCA :TP010-5122 400-440MHZ RECEIVER
 IPN: 220-01392-07 ISSUE: H ID: 2.S.C. 3
 PROJECT: ORCA DESIGNER: BRD/TS FILE NAME: 139207h DATE: 4-Oct-99 NO.SHEETS: 7

REV/ISS	AMENDMENTS	DRAWN	CHKD	D.O.	APVD	DATE
A						



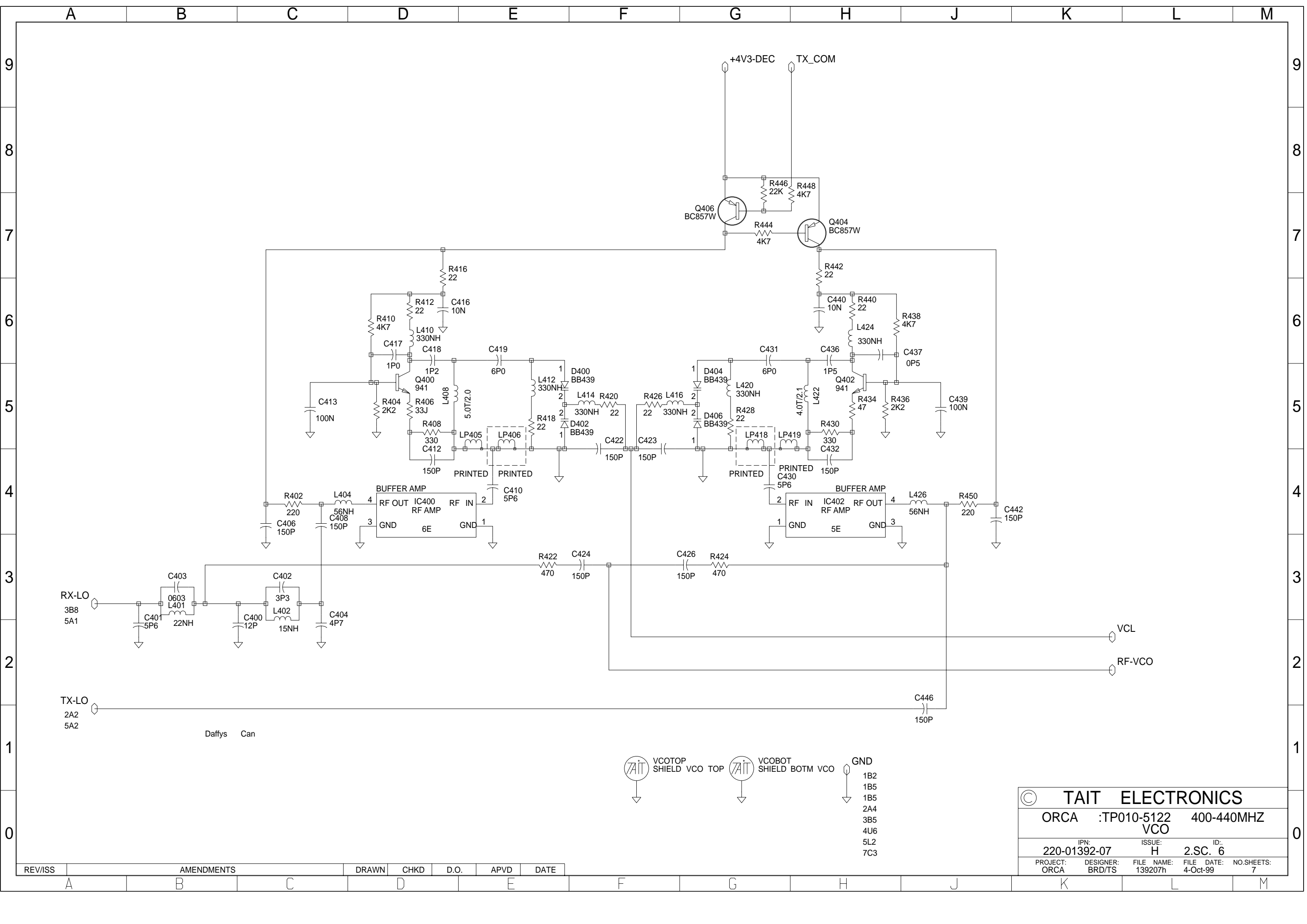
REV/ISS	ORIGINAL	AMENDMENTS	DRAWN	CHKD	D.O.	APV/D	DATE
P1			DBH				

© TAIT ELECTRONICS
 ORCA :TP010-5122 400-440MHZ
 PROCESSOR
 220-01392-07 H 2 SC 4
 PROJECT: DESIGNER: FILE NAME: FILE DATE: NO SHEETS:
 ORCA BRD/TX 139207H 4-01-99 7



© TAIT ELECTRONICS
 ORCA :TP010-5122 400-440MHZ SYNTHESISER
 IPN: 220-01392-07 ISSUE: H ID: 2.SC. 5
 PROJECT: ORCA DESIGNER: BRD/TS FILE NAME: 139207h FILE DATE: 4-Oct-99 NO.SHEETS: 7

REV/ISS	AMENDMENTS	DRAWN	CHKD	D.O.	APVD	DATE



© TAIT ELECTRONICS

ORCA :TP010-5122 400-440MHZ
VCO

IPN: 220-01392-07 ISSUE: H ID: 2.SC. 6

PROJECT: ORCA DESIGNER: BRD/TS FILE NAME: 139207h FILE DATE: 4-Oct-99 NO.SHEETS: 7

REV/ISS	AMENDMENTS	DRAWN	CHKD	D.O.	APVD	DATE

- VCOTOP SHIELD VCO TOP
- VCOBOT SHIELD BOTM VCO
- GND
- 1B2
- 1B5
- 2A4
- 3B5
- 4U6
- 5L2
- 7C3

